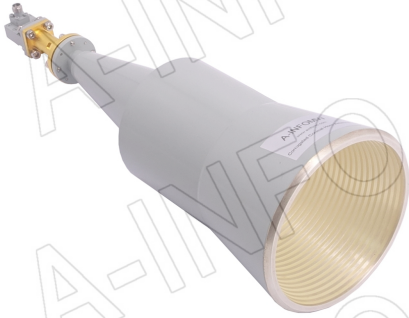


For reference only. See data sheet for the detailed specifications.

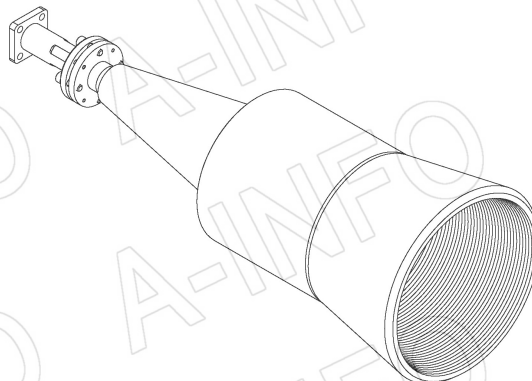
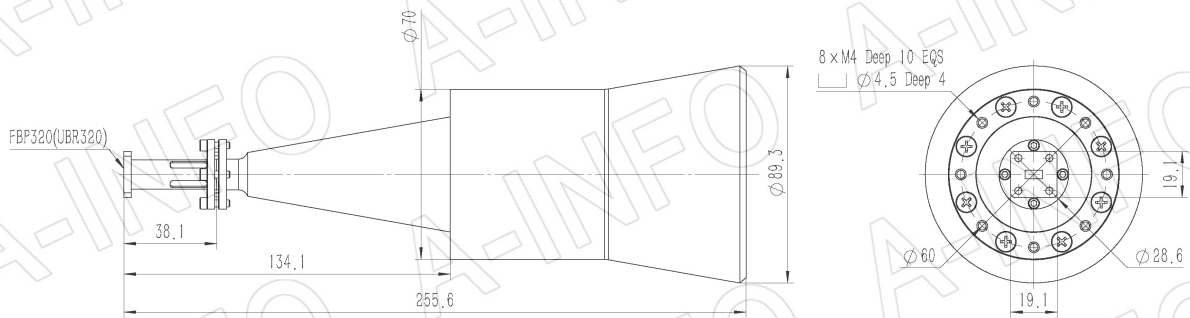
Technical Specification



Frequency Range(GHz)	26.5 - 40.0	
Waveguide	WR28	
Gain(dBi)	25 Typ.	
Polarization	Linear	
3dB Beamwidth(deg)	E Plane:	9 Typ.
	H Plane:	9 Typ.
Cross Pol. Isolation(dB)	40 Typ.	
VSWR	A Type:	1.20:1 Typ.
	C Type:	1.40:1 Typ.
Output	A Type:	FBP320(UBR320)
	C Type:	2.92mm-Female or 2.4mm-Female
Material	Al	
Finish	Gold Plated and Silver Plated, Gray Paint	
Size(mm)	A Type:	89.3 x 89.3 x 255.6
	C Type:	89.3 x 89.3 x 279.6
Net Weight(Kg)	A Type:	0.58 Around
	C Type:	0.62 Around

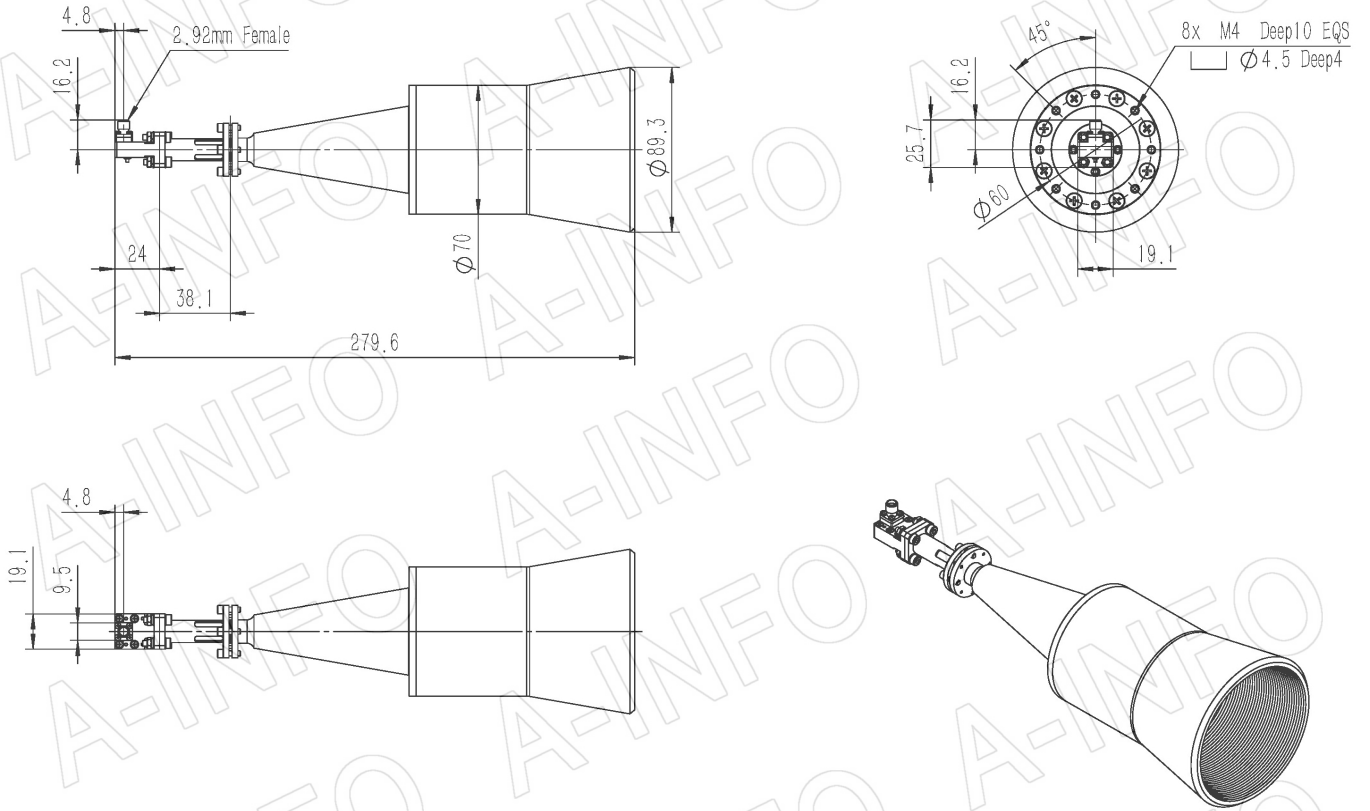
Outline Drawing (Size: mm)

FBP320 Output (P/N: LB-CH-28-25-A)

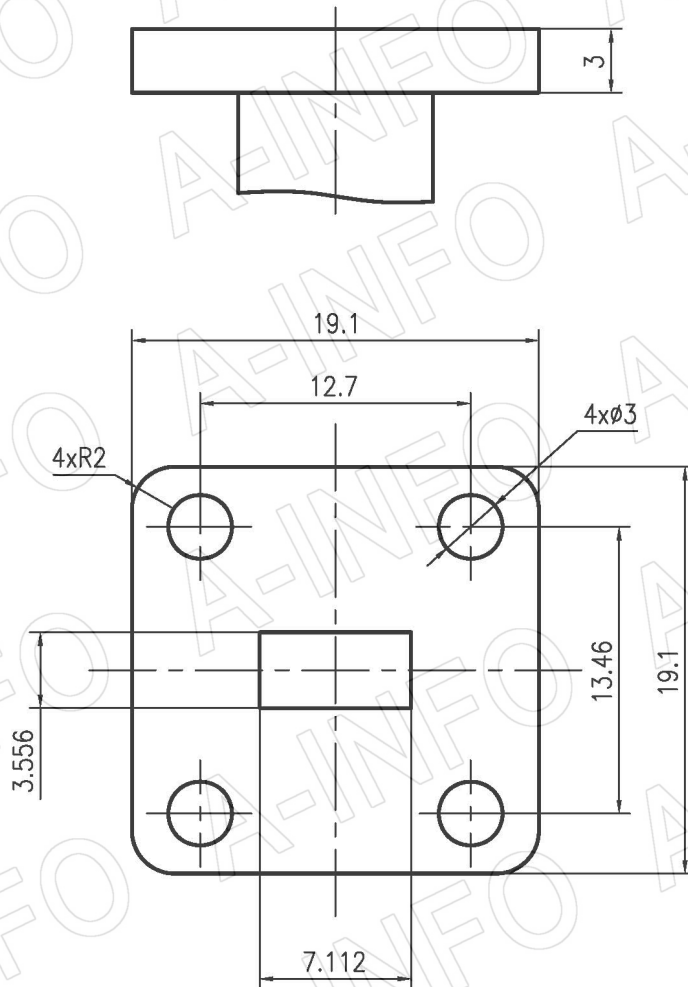


2.92mm-Female Output (P/N: LB-CH-28-25-C-KF)

For 2.4mm-Female output outline drawing, please contact A-INFO.



Flange Drawing (Size: mm)



FBP320

AINFO Inc.

Page 3 of 9

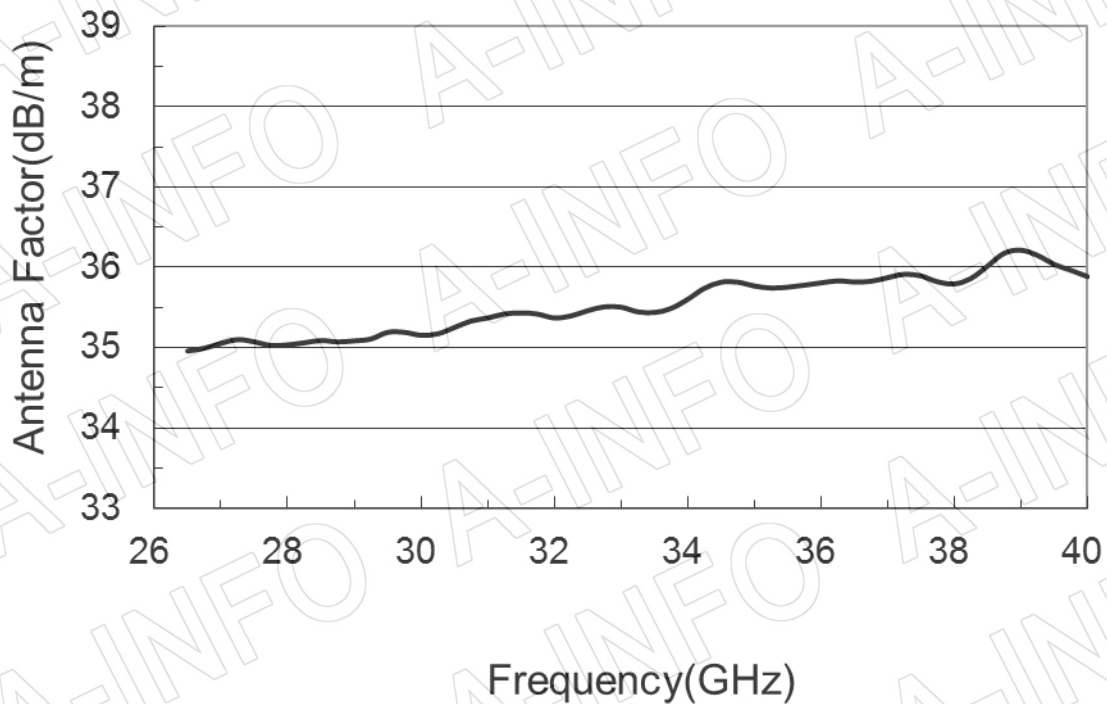
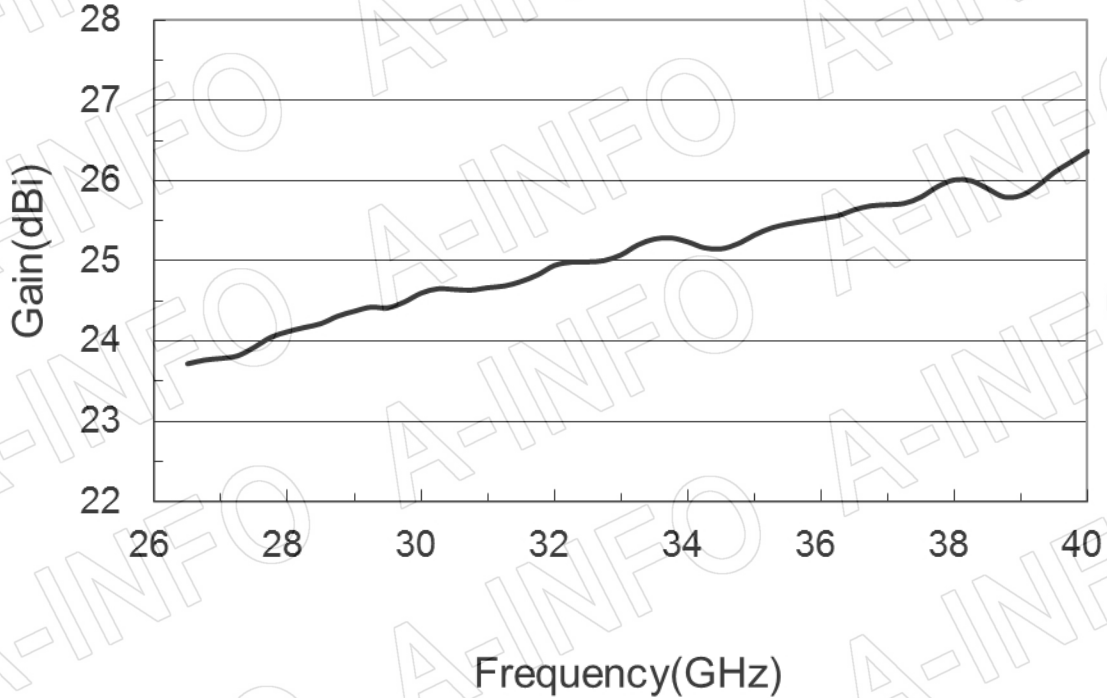
China(Beijing): Tel: (+86) 10-6266-7326,
China(Chengdu): Tel: (+86) 28-8519-2786,
USA: Tel: (+1) 949-639-9688,

(+86) 10-6266-7327 Fax: (+86) 10-6266-7379
(+86) 28-8519-3044 Fax: (+86) 28-8519-3068
(+1) 949-639-9608 Fax: (+1) 949-639-9670

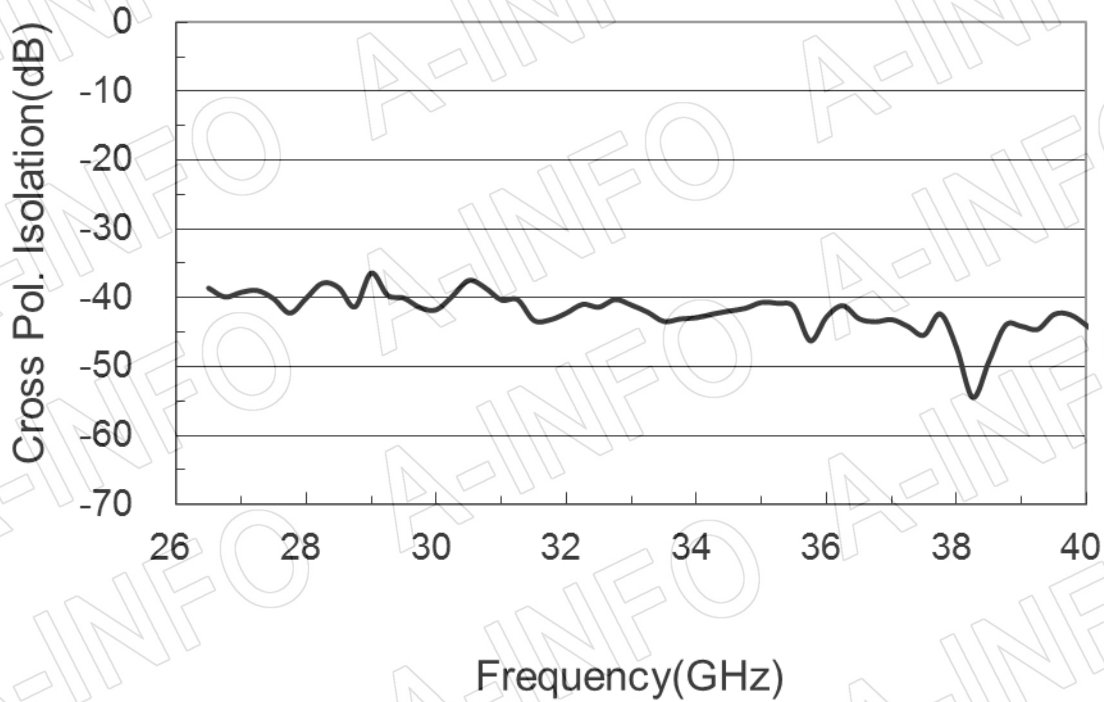
Website: www.ainfoinc.com
Email: sales@ainfoinc.com

Test Results

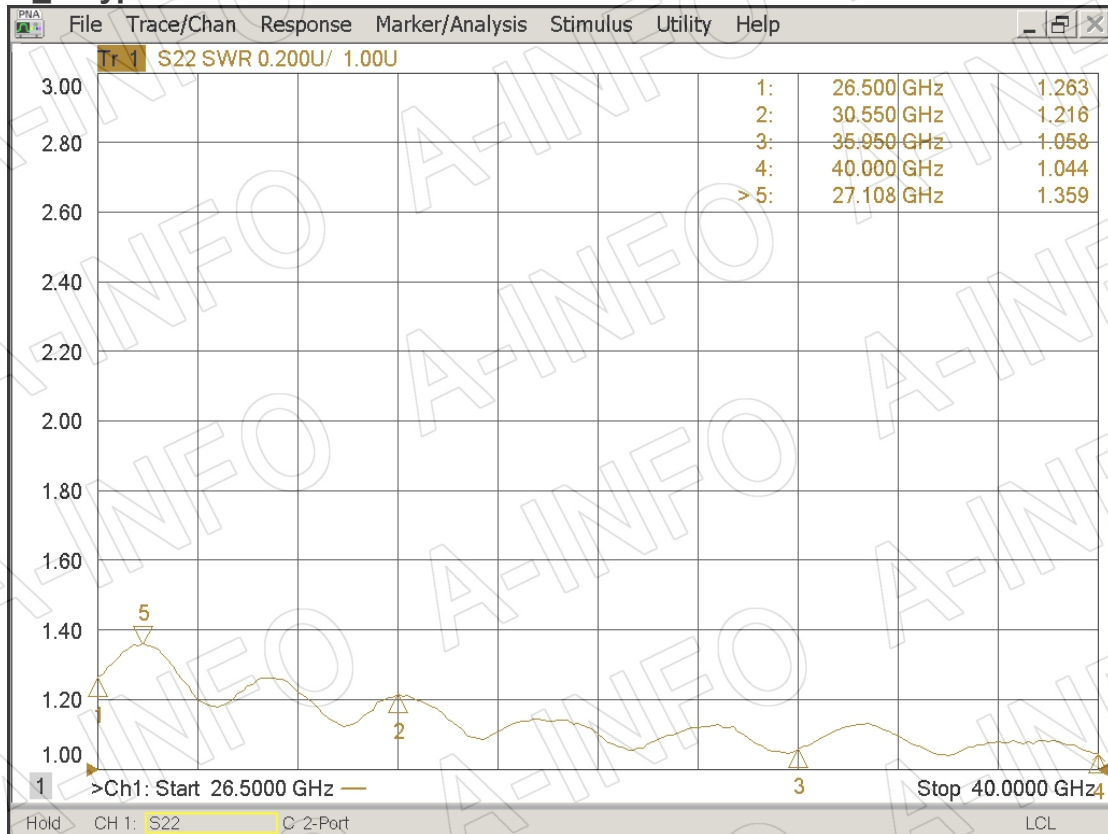
1. Gain & Antenna Factor



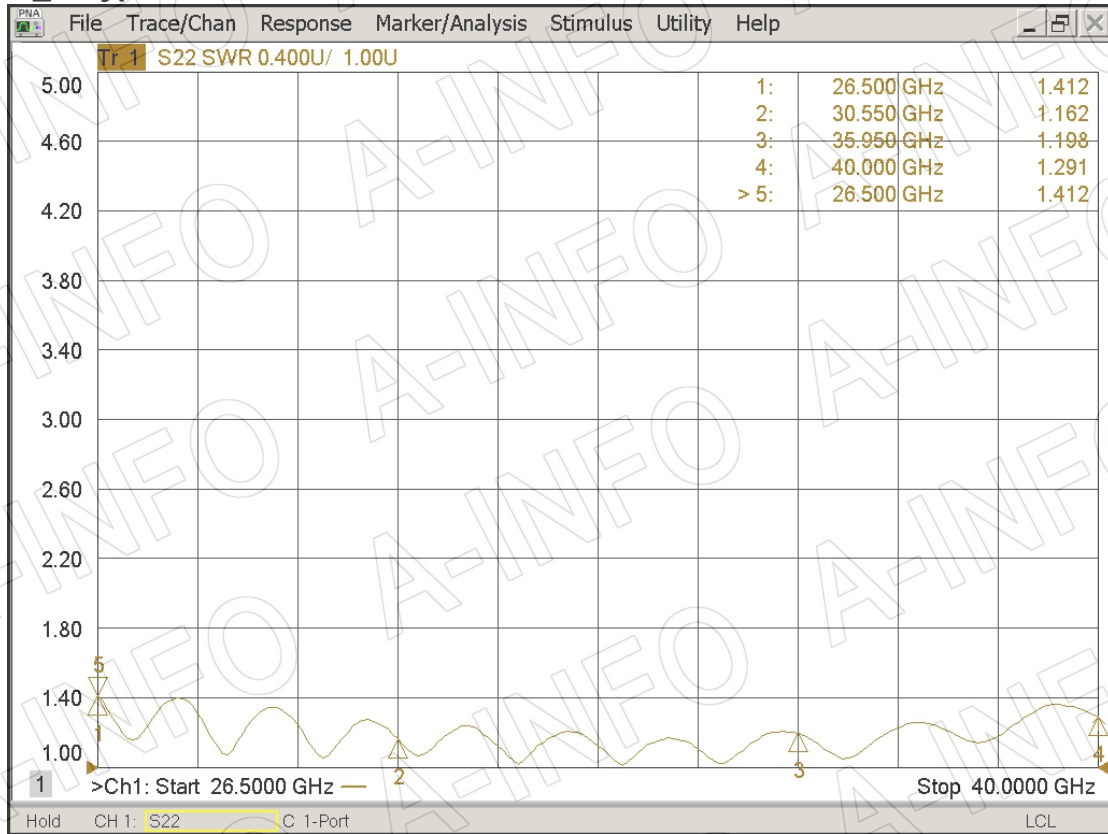
2. Cross Polarization Isolation



3. VSWR_A Type



VSWR_C Type



4. Pattern

